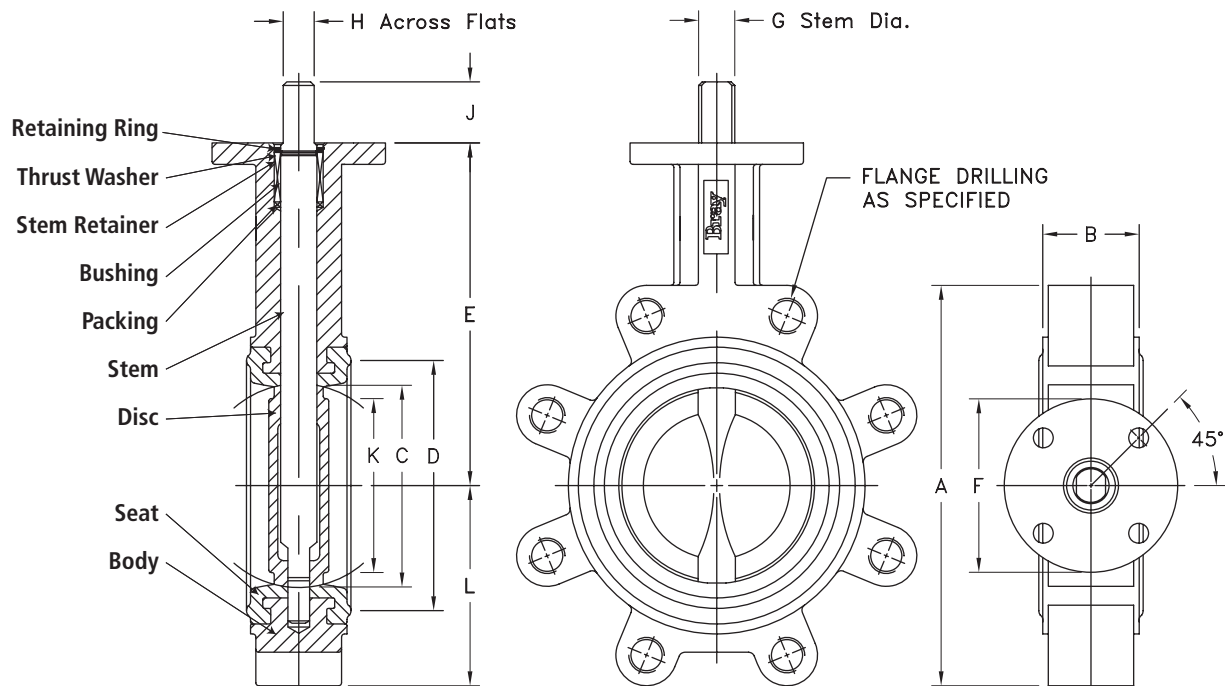


Series 31H Lug



IMPERIAL DIMENSIONS: Inches															Lug Bolting Data				
Valve Size	A	B	C	D	E	F	Top Plate Drilling			G	H	J	K	L	Adapter Code	Weight (lbs)	Bolt Circle	No of Holes	Threads ISO Coarse
							BC	No of Holes	Hole Diameter										
2	3.69	1.62	2.00	2.84	5.50	3.54	2.76	4	.39	.55	.39	1.25	1.32	2.30	A	7.0	4.75	4	.62-11
2½	4.19	1.75	2.50	3.34	6.00	3.54	2.76	4	.39	.55	.39	1.25	1.91	2.57	A	8.0	5.50	4	.62-11
3	4.88	1.75	3.00	4.03	6.25	3.54	2.76	4	.39	.55	.39	1.25	2.55	2.81	A	9.0	6.00	4	.62-11
4	6.06	2.00	4.00	5.16	7.00	3.54	2.76	4	.39	.63	.43	1.25	3.57	4.09	B	15.0	7.50	8	.62-11
5	7.12	2.12	5.00	6.16	7.50	3.54	2.76	4	.39	.75	.51	1.25	4.63	4.61	C	20.0	8.50	8	.75-10
6	8.12	2.12	5.75	7.02	8.00	3.54	2.76	4	.39	.75	.51	1.25	5.45	5.06	C	23.0	9.50	8	.75-10
8	10.50	2.50	7.75	9.47	9.50	5.91	4.92	4	.57	.87	.63	1.25	7.45	6.05	D	42.0	11.75	8	.75-10
10	12.75	2.50	9.75	11.47	10.72	5.91	4.92	4	.57	1.18	.87	2.00	9.53	7.69	E	66.0	14.25	12	.88-9
12	14.88	3.00	11.75	13.47	12.25	5.91	4.92	4	.57	1.18	.87	2.00	11.47	9.02	E	88.0	17.00	12	.88-9

Note: K dimension is disc chordal dimension at valve face.

METRIC DIMENSIONS: Millimeters															Lug Bolting Data				
Valve Size	A	B	C	D	E	F	Top Plate Drilling			G	H	J	K	L	Adapter Code	Weight (Kg)	Bolt Circle	No of Holes	Threads ISO Coarse
							BC	No of Holes	Hole Diameter										
50	94	2	51	72	140	90	70	4	10	14	10	32	34	58	A	3	121	4	.62-11
65	106	2	64	85	152	90	70	4	10	14	10	32	49	65	A	3.6	140	4	.62-11
80	124	2	76	102	159	90	70	4	10	14	10	32	65	71	A	4.1	152	4	.62-11
100	154	2	102	131	178	90	70	4	10	16	11	32	91	104	B	7	191	8	.62-11
125	181	2	127	156	191	90	70	4	10	19	13	32	118	117	C	9	216	8	.75-10
150	206	2	146	178	203	90	70	4	10	19	13	32	138	129	C	10	241	8	.75-10
200	267	3	197	241	241	150	125	4	14	22	16	32	189	154	D	19	298	8	.75-10
250	324	3	248	291	272	150	125	4	14	30	22	51	242	195	E	30	362	12	.88-9
300	378	3	298	342	311	150	125	4	14	30	22	51	291	229	E	40	432	12	.88-9

Note: K dimension is disc chordal dimension at valve face.

Drawings are for reference only. Please refer to Bray ES drawings on the Bray website, www.bray.com. Bray reserves the right to change product dimensions without notice.

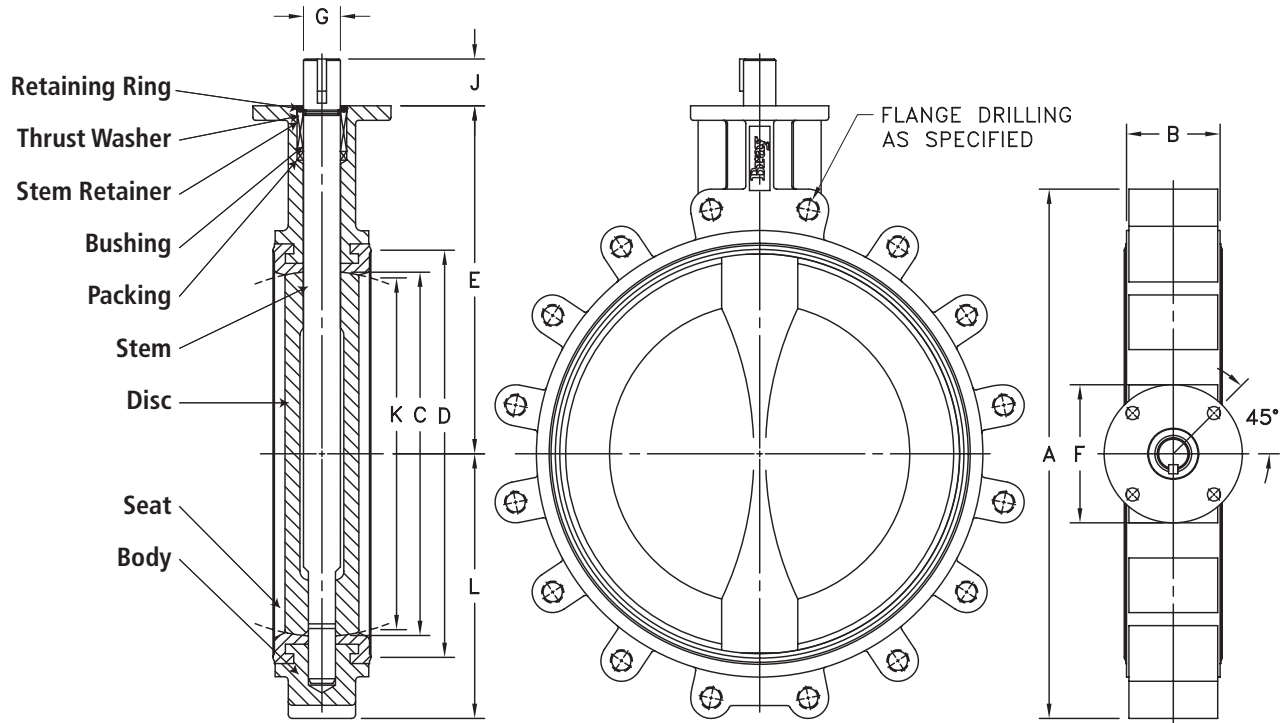
SR Drawing #31H-2/12-im January - 2015

Inquire/P.O. No.: _____

Customer/Project: _____

Bray Order No.: _____

Series 31H Lug



IMPERIAL DIMENSIONS: Inches																Lug Bolting Data			
Valve Size	A	B	C	D	E	F	Top Plate Drilling			G	J	Key Size	K	L	Adapter Code	Weight (lbs)	Bolt Circle	No of Holes	Threads ISO Coarse
							BC	No of Holes	Hole Diameter										
14	16.94	3.00	13.25	15.28	13.62	5.91	4.92	4	.57	1.38	2.00	.39x.39	13.04	9.93	F	114	18.75	12	1.00-8
16	19.06	4.00	15.25	17.41	14.75	5.91	4.92	4	.57	1.38	2.00	.39x.39	14.85	11.30	F	166	21.25	16	1.00-8
18	21.12	4.25	17.25	19.47	16.00	8.27	6.50	4	.81	1.97	2.50	.47x.39	16.85	12.16	G	226	22.75	16	1.12-7
20	23.25	5.00	19.25	21.59	17.25	8.27	6.50	4	.81	1.97	2.50	.47x.39	18.73	14.00	G	305	25.00	20	1.12-7

Note: K dimension is disc chordal dimension at valve face.

METRIC DIMENSIONS: Millimeters																Lug Bolting Data			
Valve Size	A	B	C	D	E	F	Top Plate Drilling			G	J	Key Size	K	L	Adapter Code	Weight (Kg)	Bolt Circle	No of Holes	Threads ISO Coarse
							BC	No of Holes	Hole Diameter										
350	430	76	337	388	346	150	125	4	14	35	51	10x10	331	252	F	52	476	12	1.00-8
400	484	102	387	442	375	150	125	4	14	35	51	10x10	377	287	F	75	540	16	1.00-8
450	536	108	438	495	406	210	165	4	21	50	64	12x10	428	309	G	103	578	16	1.12-7
500	591	127	489	548	438	210	165	4	21	50	64	12x10	476	356	G	138	635	20	1.12-7

Note: K dimension is disc chordal dimension at valve face.